

**EXTENSIVE  
CHANGES**  
REVIEW  
THOROUGHLY

**LEGEND**

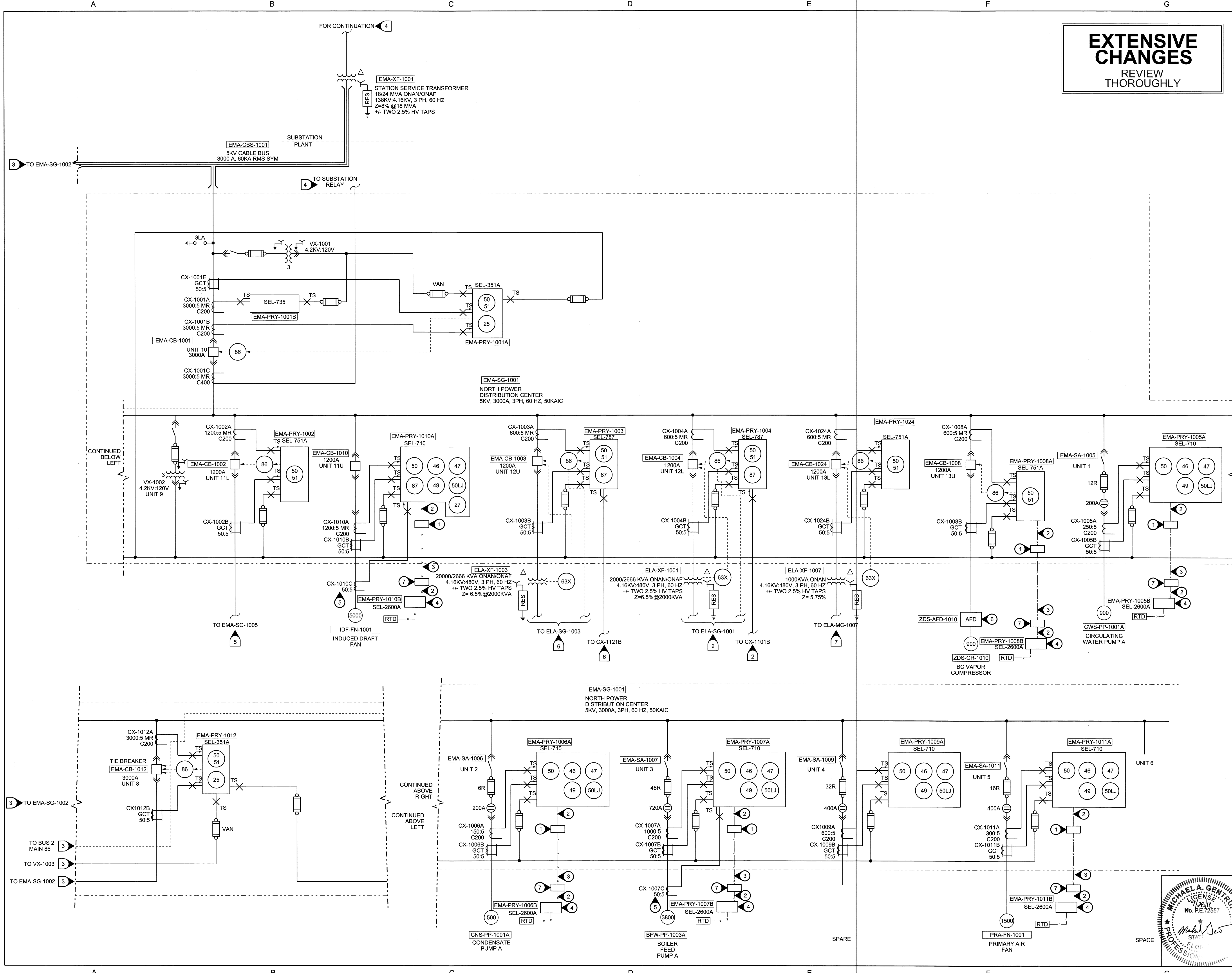
- [RTD] RESISTANCE TEMPERATURE DETECTOR
- [VAN] SINGLE PHASE VOLTAGE, PHASE A TO NEUTRAL
- [RES] RESISTANCE GROUNDING SYSTEM
- INSTRUMENT SIGNAL
- FIBER OPTIC CABLE
- GCT CURRENT TRANSFORMER GROUND SENSOR
- (50LJ) LOAD JAM

**GENERAL NOTES**

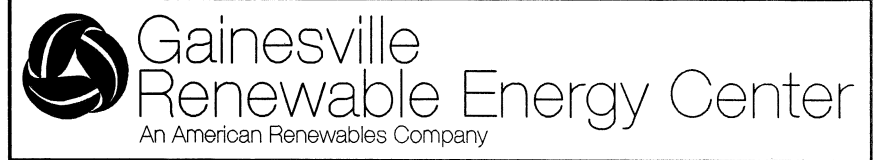
1. FIBER OPTIC CABLE TERMINATED AT FIBER PATCH PANEL LOCATED INSIDE OF SWITCHGEAR.
2. FIBER OPTIC PATCH CABLE FURNISHED AND INSTALLED BY MANUFACTURER. PATCH CABLE TO BE ROUTED BETWEEN DEVICES AS SHOWN. FIBER CABLE SHALL BE MULTIMODE, 2-FIBER, 62.5 MICRON WITH TYPE ST CONNECTORS ON BOTH ENDS.
3. FIBER OPTIC CABLE FURNISHED AND INSTALLED BY CONTRACTOR.
4. MANUFACTURER SHALL INSTALL THE RTD MODULE IN A NEMA 4X PANEL AND SHIP LOOSE INSIDE OF THE POWER DISTRIBUTION CENTER BUILDING AS SPECIFIED IN SECTION 262600.
5. CORE-BALANCE CURRENT TRANSFORMER (1 SET) PROVIDED BY MOTOR VENDOR.
6. AFD LOCATED IN SOUTH PDC.
7. FIBER OPTIC CABLE TERMINATED AT FIBER PATCH PANEL LOCATED INSIDE OF RTD MODULE NEMA 4X PANEL DESCRIBED IN NOTE 4.

**REFERENCE DRAWINGS**

1. ANNOTATIONS, ABBREVIATIONS AND ASSOCIATIONS ELECTRICAL SYMBOLS LIST AND GENERAL NOTES D014200-AAAE71001 SH01-SH02
2. LOW VOLTAGE AC POWER SYSTEM; 480V SWITCHGEAR ELA-SG-1001 ONE-LINE DIAGRAM D014200-ELAE11001 SH01
3. MEDIUM VOLTAGE AC; 4160V SWITCHGEAR EMA-SG-1002 ONE-LINE DIAGRAM D014200-EMAE11002 SH01
4. 138KV GREC SUBSTATION ONE-LINE 138KV BIOMASS PLANT M014200-EHAE00001 SH01 R01
5. MEDIUM VOLTAGE AC; 4160V SWITCHGEAR EMA-SG-1005 ONE-LINE DIAGRAM D014200-EMAE11003 SH01
6. LOW VOLTAGE AC POWER SYSTEM; 480V SWITCHGEAR D014200-ELAE11003 SH01
7. LOW VOLTAGE AC POWER SYSTEM 480V MCC ELA-MC-1007 ONE-LINE DIAGRAM
8. EMA-SG-1001/1002 MASTERCLAD SWITCHGEAR ONE-LINE DIAGRAM D014200-PDCE00043 SH01 RP2, SH02 RA, SH03 RA AND SH04 RP1
9. EMA-SG-1001 MEDIUM VOLTAGE MCC ONE-LINE D014200-PDCE00088 SH01 RA AND SH02 RA



2	REVISED DESIGN INFORMATION & ADDED GENERAL NOTES AND REFERENCE DRAWINGS	01/21/12	LM	MP	ELJ
1	REMOVED SEL-387E	11/09/11	LEF	MDP	ASD
0	ISSUED FOR BID				
NO.	REVISION	DATE	DRWN	DSND	CHKD



**ZACHRY**

ZACHRY ENGINEERING CORPORATION - 1515 ARAPAHOE STREET, TOWER 1, SUITE 900, DENVER, CO 80202-4256  
 AMARILLO, TX CHARLOTTE, NC HOUSTON, TX MINNEAPOLIS, MN OKLAHOMA CITY, OK SAN ANTONIO, TX

ZACHRY ENGINEERING CORPORATION (ZACHRY) RETAINS ALL RIGHT, TITLE AND INTEREST, IN AND TO ALL INFORMATION INCLUDING, BUT NOT LIMITED TO, ALL INTELLECTUAL PROPERTY ORIGINATED BY OR ON BEHALF OF ZACHRY, NEITHER THIS DRAWING, NOR ANY INFORMATION CONTAINED HEREIN, SHALL BE REPRODUCED, USED OR RELIED UPON FOR THE PREPARATION OF DRAWINGS OR APPARATUS, OR FOR ANY OTHER PURPOSE, EXCEPT AS EXPRESSLY AUTHORIZED IN WRITING BY ZACHRY.

**GAINESVILLE RENEWABLE ENERGY CENTER**  
 MEDIUM VOLTAGE AC  
 4160V SWITCHGEAR EMA-SG-1001  
 ONE-LINE DIAGRAM

DRAWN	DESIGNED	CHECKED	CHECKED	SHEET	REV
L. PETERSEN	L. MEYER	J. STILWELL	K. MEYER	01	2
APPROVED BY	DRAWING NUMBER				
M. GENTRUP	D014200-EMAE11001				
APPROVED BY					
PROJEKT					

